

ROVIC SYNCROPLANT[®]

Incorporating Precision Planting[®] Technology

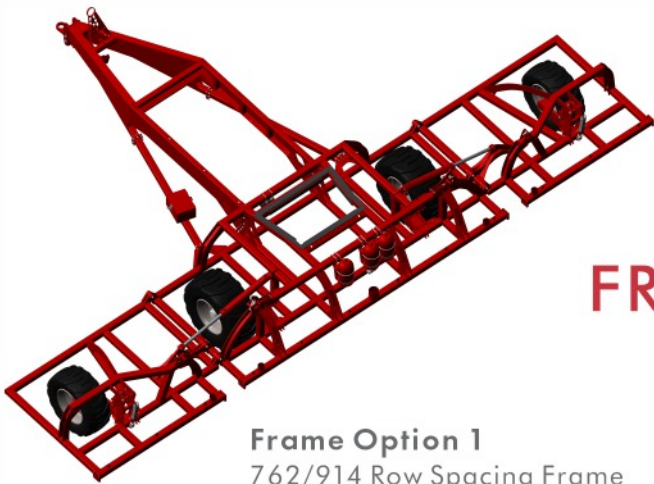
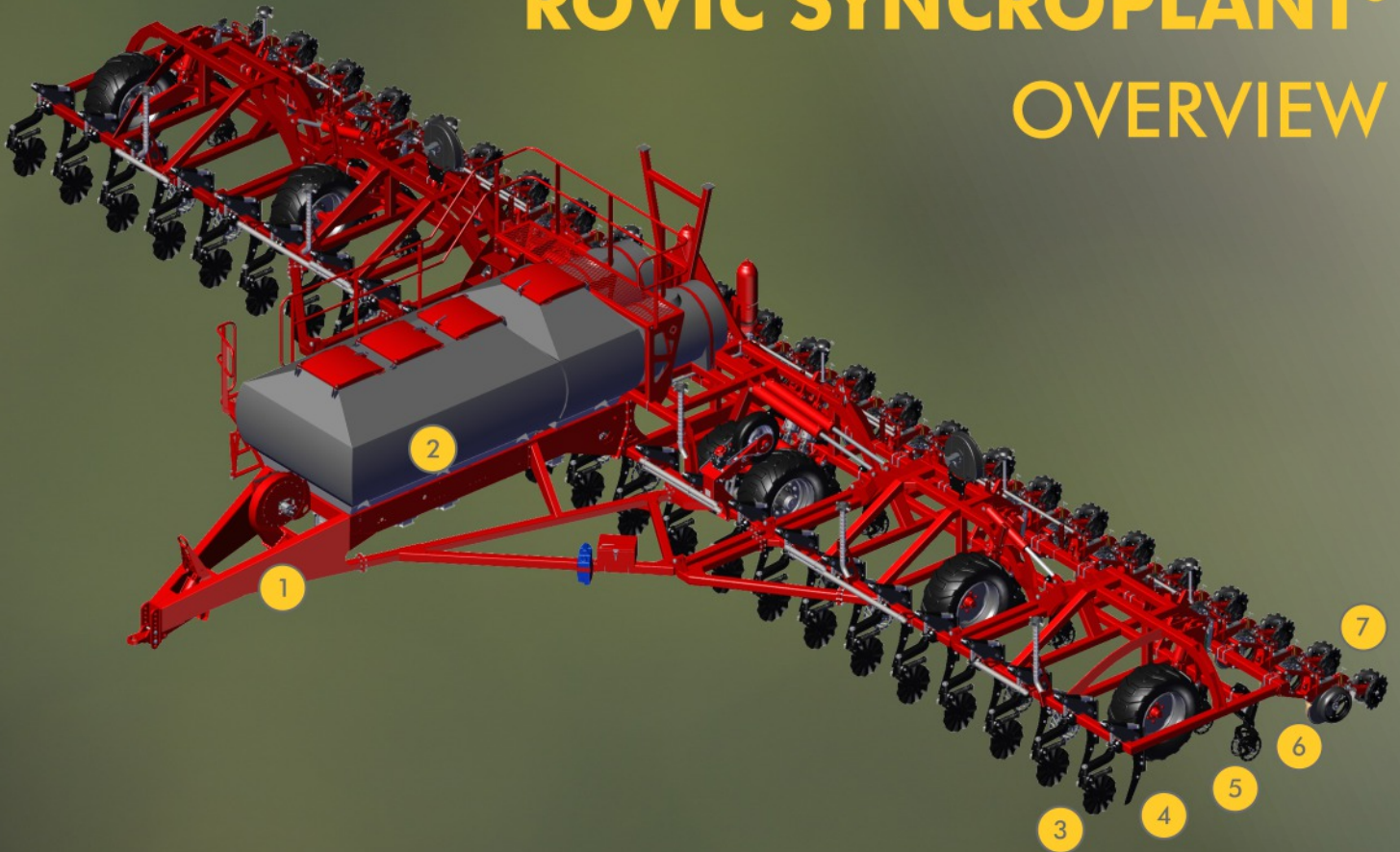


Rovic

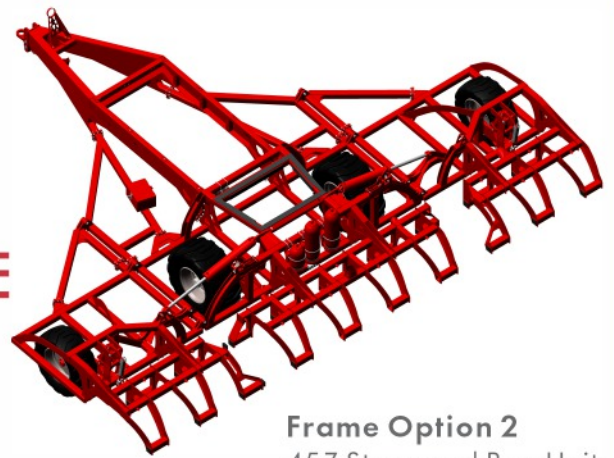


ROVIC SYNCROPLANT®

OVERVIEW



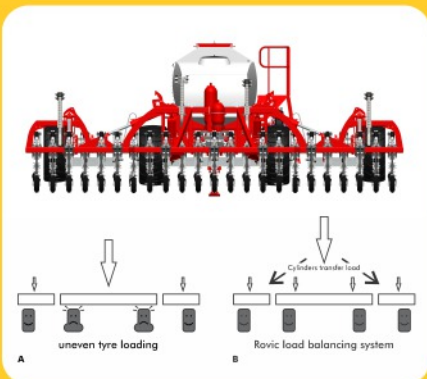
Frame Option 1
762/914 Row Spacing Frame



Frame Option 2
457 Staggered Row Unit

FRAME

Good layout and ample under beam clearance allow good trash flow.



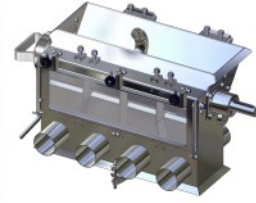
Load balancing system to equalise load over frame width and high floatation tyres for reduced compaction and bog down



Multi sectional fold for optimal floatation and narrower transport widths

2 AIR SEEDER

- 2 Bins with stainless steel metering for durability and aesthetics
- Large and balance bin sizes for optimal field efficiency
- Accurate seed and fertiliser distribution



TINE

Strip till for seedbed preparation and full profile band placement of fertiliser

4



CAGE ROLLER

To consolidate soil and prepare an excellent seedbed without compaction, resulting in better seed / soil-contact for even germination

5



3 CUTTING COULTER

6 ROW CLEANER

Double row cleaner (optional)

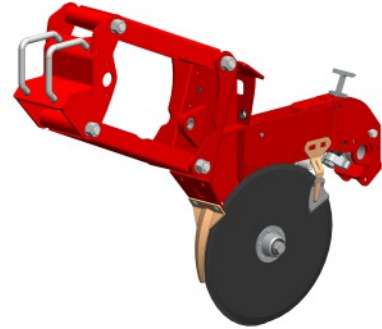
(B)

7 PLANTING UNIT

- Full Precision Planting ready, e.g.: 20/20, Delta Force, V-Apply, V-Drive, etc.
- Offset double disc opener for minimum soil disturbance and accurate seed placement
- Various closing wheel options to suit different conditions
- Standard Hydraulic downforce for easy adjustment



- C Unequal, offset double disc openers for minimum soil disturbance and accurate seed placement



- D Open spoke depth gauge wheels mounted on simple and effective depth adjustment that accommodate standard Precision Planting load pin to enable Delta Force



- A The SYNCROPLANT® unit is Full Precision Planting ready Hydraulic, manual adjusted downforce as standard with Delta Force as an option



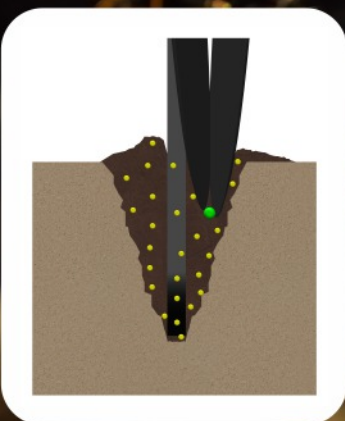
INDEPENDENT ROWS
INDIVIDUAL ROW CONTROL
ENSURES THE RIGHT DOWN
FORCE IN THE RIGHT PLACE



- E Closing wheels with adjustable down force setting and wheel angle setting



- F Various closing wheel options to accommodate all soil types and conditions





Conservation Agriculture, the ONLY way forward!

There are strong drivers for the uptake of green technologies (green tech) and sustainable agricultural practices in South Africa's agriculture sector. They include:

- **Rising input costs** for energy (particularly electricity and diesel), fertiliser and pesticides
- **Limited natural resources** (particularly arable land and water) that are primarily affected by climate and farming practices
- **Detrimental environmental effects** associated with conventional (i.e. traditional) inputs and practices, specifically pollution and soil degradation, leading to lower production yields, loss of arable land and reduced resilience
- **Climate change**, forcing the sector to adopt more sustainable practices to increase its resilience
- **Conservation agriculture practices**, which decrease the use of agro-chemical and fertiliser inputs, improves soil health and structure, and thus increase water retention

ROVIC has taken up this challenge and made it our strategy to support conservation agricultural practices in all our designs of mechanized solutions to the farmer

The ROVIC SYNCROPLANT[®] has been developed with these principles and drivers in mind, hence the reference to the synchronisation of planting technology with the requirements of conservation agriculture taken up in the name of these planters

Precision Planting[®]

Our planters come standard with Precision Planting[®] V-Drive (electric motor drive) on the unit and Gen3 20/20 screen in the tractor cab. This allows for full seed control row by row, Section control, variable rate and turn compensation.

The unit can be fitted with a mini hopper that will be filled from a central seeding bin or a standard seed hopper row by row.

Watch this video





SPECIFICATIONS

ROVIC SYNCROPLANT® MIN-TILL, 457mm Row Spacing (4-Beam)

No. Rows	Row Spacing	Working Width	Bin Capacity		Central	Vertical Fold	Transport Width
			Seed	Fertiliser	Seeding		
15	457mm	6.8m	1680 L	2520 L	Standard	3 Sections	± 6.5m
21	457mm	9.5m	2480 L	3720 L	Standard	3 Sections	± 6.5m
25	457mm	11.4m	2480 L	3720 L	Standard	5 Sections	± 6.5m
31	457mm	14.1m	2480 L	3720 L	Standard	5 Sections	± 8.0m

ROVIC SYNCROPLANT® MIN-TILL, 762mm Row Spacing (3-Beam)

No. Rows	Row Spacing	Working Width	Bin Capacity		Central	Vertical Fold	Transport Width
			Seed	Fertiliser	Seeding		
8	762mm	6.10m	1680 L	2520 L	Standard	3 Sections	± 6.5m
10	762mm	7.62m	1680 L	2520 L	Standard	3 Sections	± 6.5m
12	762mm	9.14m	2480 L	3720 L	Standard	3 Sections	± 6.5m
16	762mm	12.19m	2480 L	3720 L	Standard	3 Sections	± 8.0m
20	762mm	15.2m	2000 L	6200 L	Standard	5 Sections	± 6.3m
24	762mm	18.3m	2000 L	6200 L	Standard	5 Sections	± 8.0m

ROVIC SYNCROPLANT® MIN-TILL, 914mm Row Spacing (3-Beam)

No. Rows	Row Spacing	Working Width	Bin Capacity		Vertical Fold	Transport Width
			Seed	Fertiliser		
8	914mm	7.32m	1680 L	2520 L	3 Sections	± 6.5m
10	914mm	9.14m	1680 L	2520 L	3 Sections	± 6.5m
12	914mm	10.96m	2480 L	3720 L	3 Sections	± 6.5m
16	914mm	14.62m	2480 L	3720 L	3 Sections	± 8.0m

ROVIC LEERS
CAPE TOWN HEAD OFFICE
Saxenburg Road, Blackheath,
Cape Town, Western Cape
Tel: +27 (0)21 907 1700
E-mail: info@rovicleers.co.za

ROVIC LEERS
PIETERMARITZBURG
18 Penrith Road, Mason Hill,
Pietermaritzburg, Kwa-Zulu Natal
Tel: +27 (0)33 346 2727

ROVIC LEERS
JOHANNESBURG
19 Patrick Road, Jetpark,
Johannesburg, Gauteng
Tel: +27 (0)11 396 6200

ROVIC AFRICA
JOHANNESBURG
19 Patrick Road, Jetpark,
Johannesburg, Gauteng
Tel: +27 (0)11 396 6240
E-mail: info@rovicafrica.com

www.rovicleers.co.za

DESIGNED, DEVELOPED AND MANUFACTURED IN SOUTH AFRICA

ALSO AVAILABLE: ROVIC SYNCROSEED®

Rovic SYNCROPLANT® with Tine 05/19




RovicLeers